

Project: _____

Dealer: _____

Architect: _____

Engineer: _____


Contractor: _____

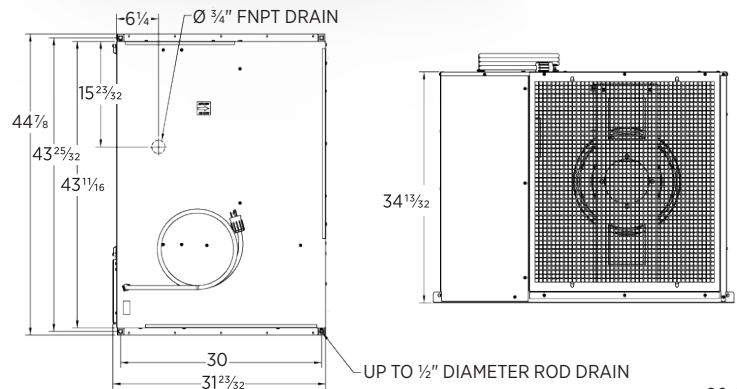
Location: _____

Suppliers: _____

Date: _____

SPECIFICATIONS

Capacity⁽¹⁾ PPD AT 80°/60%RH	720
Energy factor⁽¹⁾	3.1 L/kWh 6.5 pints/kWh
Voltage, Phase, Frequency	277 VAC, 1 Phase, 60Hz
Current draw (amps)⁽¹⁾	16.3
Power (Watts)⁽¹⁾	4,600
Btu/h⁽²⁾	15,696
Power cord type and length	SJT, L7-30P, 10ft 
Breaker size	30 amp
Dimensions (cabinet only)	W: 44 7/8" H: 34 13/32" L: 31 23/32"
Weight	360 lbs.
Control	Onboard digital with diagnostics
Filter	29.5"x 31.5"x1.75" MERV 11 (Part #5852)
Refrigerant	R-32
Coil type	Copper tube, Aluminum fin with I-coat
Hardwire	Field-configurable
Drain connection*	3/4" FNPT
Drain fittings	3/4" MNPT x 3/4" BARB, 3/4" MNPT x 3/4" Female pipe, 3/4" x 3/4" x 3/4" T-Fitting, 3/4" P-Trap
Warranty	5 Years on all parts including refrigeration system



90-2529

► ANDEN A710V3

The A710V3 features VLGR technology, which modulates the refrigeration system based on the load, allowing you to maximize VPD and provide greater control during late flower conditions.

► APPLICATION

The Anden Model A710V3 Dehumidifier is the perfect solution for the precise management of humidity required in an indoor growing environment.

⁽¹⁾Rated capacity and energy factor test done and current draw measured at 80°F/60% RH inlet air at 0.0 ESP, 277 VAC.

⁽²⁾Total cooling load @ 80°F/60% RH and 277 VAC.

* Requires drain trap

The submittal is intended to show general, overall product dimensions and provide guidance for installation clearance. Drawings are not to scale. Ensure submittals are current. Research Products reserves the rights to make product change without notifications or obligations.