

## SPECIFICATIONS

<b>Capacity<sup>(1)</sup> (water removal)</b>	210 ppd
<b>Energy factor<sup>(1)</sup> (efficiency)</b>	2.8 L/kWh (6.0 pints/kWh)
<b>BTU/h<sup>(2)</sup></b>	14,850
<b>Voltage, Phase, Frequency</b>	208/240VAC, 1 Phase, 60 Hz
<b>Current draw<sup>(1)</sup></b>	5.7 Amps
<b>Power (Watts)<sup>(1)</sup></b>	1,400
<b>Min. circuit ampacity<sup>(3)</sup></b>	13A
<b>Max. overcurrent protection<sup>(4)</sup></b>	20A
<b>Dimensions: (cabinet only)<sup>(5)</sup></b>	Width: 28½" Height: 18¾" Length: 22½"
<b>Weight</b>	140 lbs.

<sup>(1)</sup>Rated capacity and energy factor test done and current draw measured in accordance with AHAM DH-1 2008 at 80°F/60% RH inlet air at 0.0 ESP. <sup>(2)</sup>BTU@80°F/60% RH, sensible BTU/h output. <sup>(3)</sup>Use when selecting wire size and type. <sup>(4)</sup>Use when sizing the breaker or fuse. <sup>(5)</sup>Filter rack adds 3¾".

**Note:** All specifications are at 240VAC only, except minimum circuit ampacity and maximum overcurrent protection.

## FEATURES

<b>Control</b>	Model A76 included
<b>Air supply orientation</b>	In-line, top, bottom, side, any combination
<b>Filter</b>	MERV 11 disposable
<b>Refrigerant</b>	R410A
<b>Coil type</b>	E-coated
<b>Power cord</b>	Hardwired
<b>Drain connection*</b>	¾" NPT female bottom connection
<b>Leveling feet</b>	Included
<b>Hanging brackets for threaded rod</b>	Included
<b>Hanging bolts for cable</b>	Included
<b>Warranty</b>	5 Years on all parts including refrigeration system

\* Requires drain trap

## INCLUDED ITEMS

<b>10 ft. Power cord with strain relief</b>	14/3, 15-Amp, 6-15P plug
<b>Drain fittings</b>	90°, ¾" MNPT x ¾" FNPT and ¾" MNPT x ¾" barbed
<b>10 ft. Drain tubing</b>	¾" ID
<b>Control</b>	Model A76
<b>30' Thermostat cable</b>	20 gauge/3 conductor
<b>Manual</b>	Installation instructions



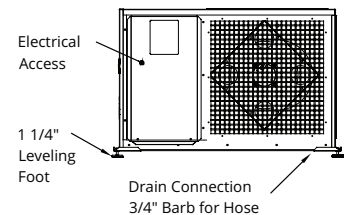
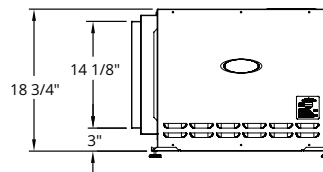
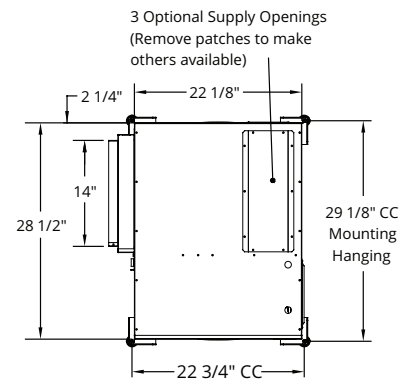
## PRINCIPLE OF OPERATION

The Anden Model A200V1 Dehumidifier is designed to dehumidify the air coming into the unit by passing the incoming air over an evaporator coil to drop the air temperature below the dew point of the air. Moisture is removed from the air and drained out of the unit to a common floor or waste drain. The air is then reheated in the condenser coil and exits the unit.

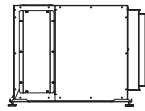
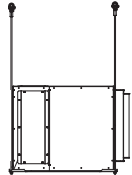
Dehumidification occurs until the set point is reached, then shuts off until the control determines a need for operation.

## APPLICATION

The Anden Model A200V1 Dehumidifier is the perfect solution for the precise management of humidity required in an indoor growing environment.



# Installation Options for the Anden A200V1 Dehumidifier

APPLICATIONS	
<p><b>Freestanding</b></p> <ul style="list-style-type: none"> <li>• Air is pulled into the dehumidifier directly from the space, dehumidified and returned to the space.</li> </ul>	
<p><b>Suspended</b></p> <ul style="list-style-type: none"> <li>• Air is pulled into the dehumidifier directly from the space, dehumidified and returned to the space.</li> <li>• The dehumidifier is hung from the ceiling to save space in the facility.</li> </ul>	

## Optional Controls and Sensors

### Wi-Fi Thermostats



Wi-Fi thermostats and mobile app provide humidity and temperature alerts directly to your smart phone or tablet. Control and monitor climate conditions in your grow room 24/7/365 from anywhere.



#### Wi-Fi Model 8840

Easy-to-use color touch screen with all control options on the home screen.



#### Wi-Fi Model 8830

Easy-to-use touch screen with all control options on the home screen.



#### Wi-Fi Model 8820

Easy-to-use touch screen designed for temperature and humidity control.

### Sensor



#### Model 8082 Sensor

Monitor temperature and humidity in multiple locations. Readings averaged to balance temperature and humidity.



#### Model 8083 Sensor

Flush temperature and RH module. Averages four temperature and four RH values.

## Included Controls



#### Model A76

Dedicated monitoring and control of each dehumidifier at canopy height.

### MODEL A76 SPECIFICATIONS

#### Electrical

##### Input voltage and current

Voltage: 24VAC +/-20% Current: 25mA (nominal), 50mA (max.) at 24VAC

##### Output

Dry contact, normally open

#### Control

##### Control range

40%–80% RH

##### Accuracy

+/-5% RH

##### Differential

3% RH

##### Low limit

40°F dew point

##### High limit

99°F dry bulb