

SPECIFICATIONS

Model	AS35	AS35FP
Capacity ⁽¹⁾	92-277 ppd	11.5-34.6 gpd
Voltage	120, 208 or 240VAC	
Amps	11.5 or 16 Amps	
Weight: Unit only Operating	23 lbs.	27 lbs.
Warranty	5 Years on all parts	

⁽¹⁾Rated capacity and energy factor test done and current draw measured in accordance with AHAM DH-1 2008 at 80°F/60% RH inlet air at 0.0 ESP.

FEATURES

High capacity	One unit can provide between 92 and 277 pints per day or 11.5 and 34.6 gallons per day.
Electrode type humidifier	Generates steam by energizing two electrodes that extend into the steam canister. Current flowing in between the electrodes causes the water to boil creating steam.
Water requirements	The Anden Steam Humidifier uses standard potable water or softened water. Reverse Osmosis "RO" or deionized water is not recommended.
Easy to install	The fan pack can be surface mounted or recessed into a wall and connected directly to the steam humidifier.
Accessories included AS35	The steam humidifier, steam dispersion tube, model 5558 control, 6' steam hose and 10' of drain tubing.
Accessories included AS35FP	The steam humidifier, fan pack, Model 5558 control, Model 4028 drain trap assembly, 6' steam hose and 10' of drain tubing.
Display panel	Provides power switch for on/off operation, illuminates LEDs to show fill, drain, steam operations and diagnostics.
Internal control board	Manages the complete operation of the humidifier. Fills and drains to maintain proper amperage draw, water level and notifies when service is required.
Back flow protection	Air gap in the fill cap prevents pressure buildup.
Water level sensor	Manages the water level in the steam canister to prevent overfilling.
Automatic drain and fill cycle	Unit flushes and fills periodically to maintain the proper conductivity.
Drain water tempering	Unit uses cold inlet water to temper the canister water reducing the drain water temperature below 140°F to protect PVC piping and condensation pumps.
End-of-season drain	After a 72-hour period with no call for humidity, the humidifier will drain the water from the canister. Unit will remain in stand-by mode until next call for humidification.
Operating time monitor	Accumulates actual humidifier run time to activate periodic drain and fill cycles, end-of-season drain function and monitors the life of canister.
Easy to maintain	No cleaning or scrubbing, simply remove the steam canister and replace.



AS35

AS35FP

PRINCIPLE OF OPERATION

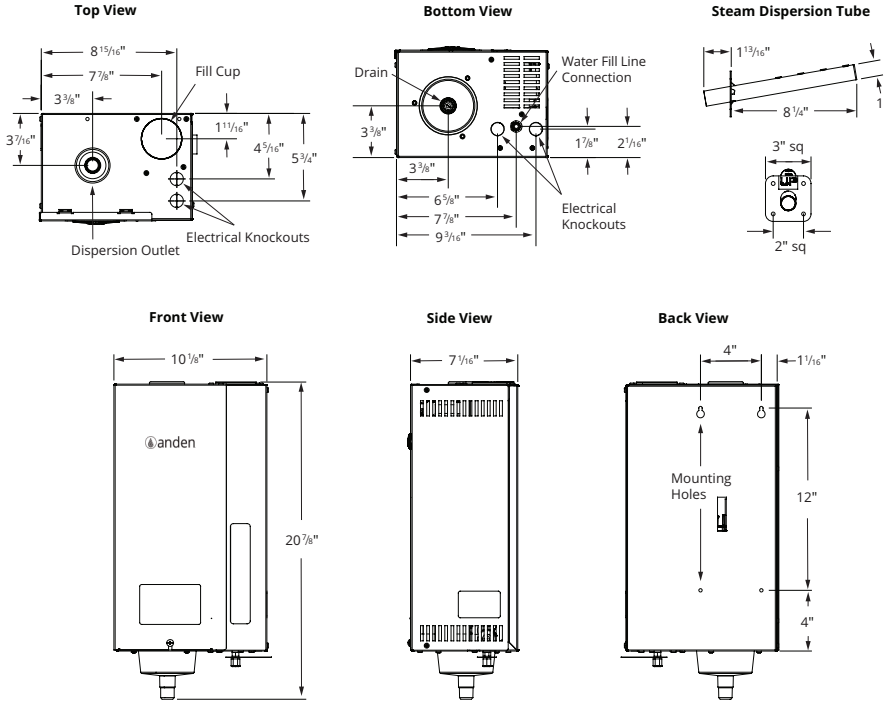
The Anden Steam Humidifier operates utilizing electrode technology: current flowing between two electrodes in the disposable steam canister boils water to generate steam. Drain and fill valves in the humidifier work together to maintain the correct water level in the canister to satisfy the demand for humidity based on the electrical conductivity of the water.

APPLICATION

Anden steam humidifiers are designed for multiple installation applications, making it easy to deliver humidity to any facility. The Anden Model AS35FP disperses steam directly into the area to be humidified through a dedicated fan pack that is powered by the humidifier itself. The Anden Model AS35 introduces steam into the facilities ductwork and relies on the HVAC system to distribute humidity throughout the facility.

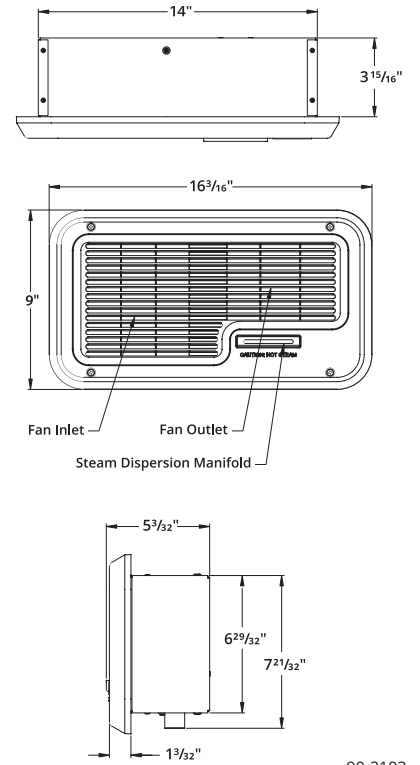
STEAM CAPACITY		VOLTAGE	CURRENT DRAW	
Pints/Day	Gallons/Day		Amps	kW
92	11.5	120V	11.5	1.4
128	16.0		16.0	1.9
164	20.5	208V	11.5	2.4
240	30.0		16.0	3.3
186.4	23.3	240V	11.5	2.8
276.8	34.6		16.0	3.8

Steam Humidifier



90-2368

Fan Pack (AS35FP only)



90-2193

Included Control



Model 5558
 Dedicated monitoring and control of each steam humidifier at canopy height.

MODEL 5558 SPECIFICATIONS

MODEL 5558 SPECIFICATIONS	
Duct Sensor	
Power supply	22-26VAC
Power consumption	1VA
Electrical connection	18 AWG minimum
Set point range	10%-90% RH (in 1% increments)
Output	Dry contacts
Sensor precision	± 3% at 40% RH and 73°F (23°C)
Relative humidity range	0%-100% RH
Operating temperature	-40°F-176°F (-40°C-80°C)
Weight	0.30 lbs. (130 g)